



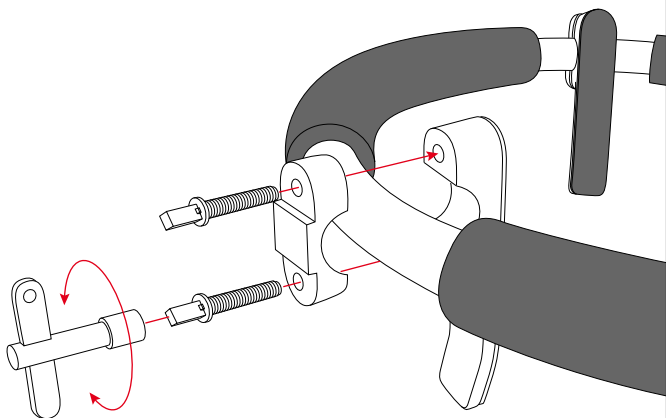
ASSEMBLY INSTRUCTION

PROFESSIONAL DOUMBK/IBO
TMID

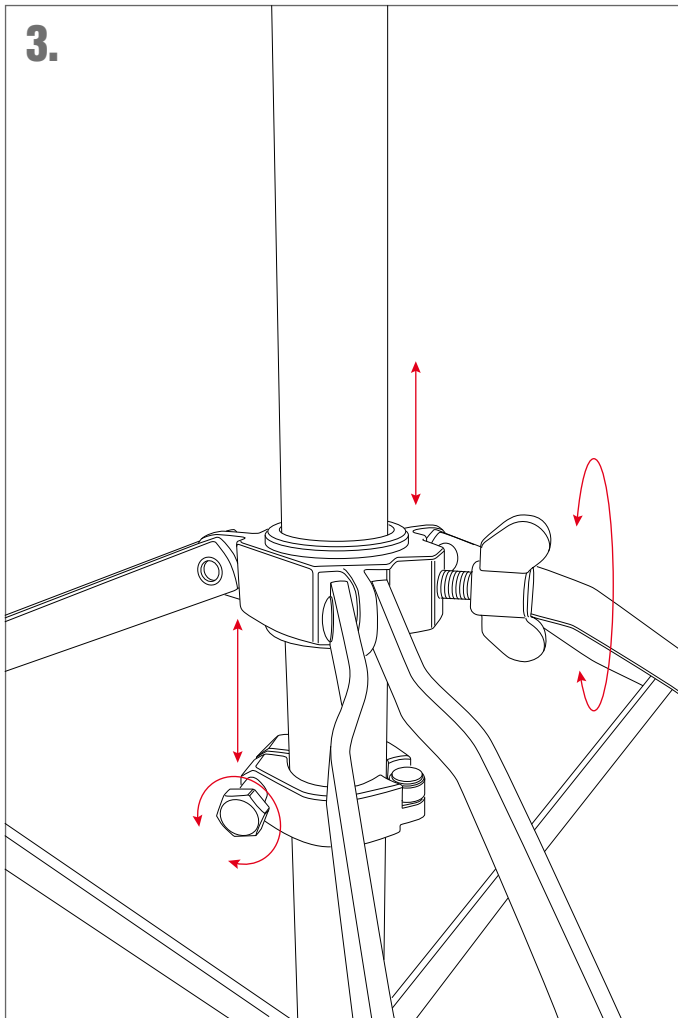
1.



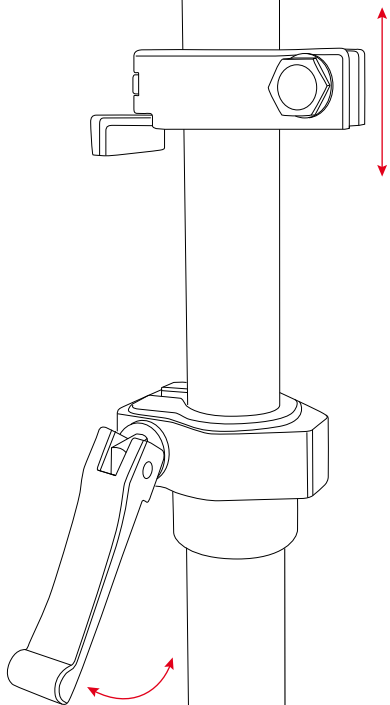
2.



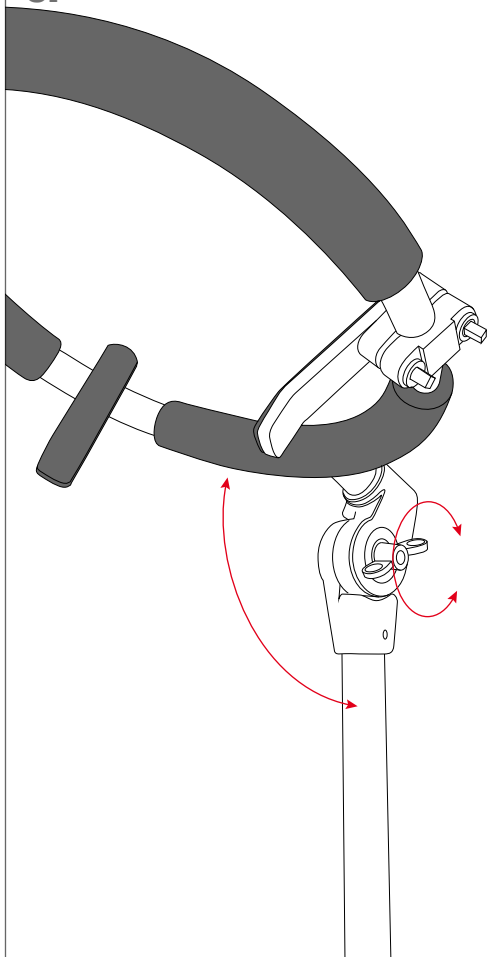
3.

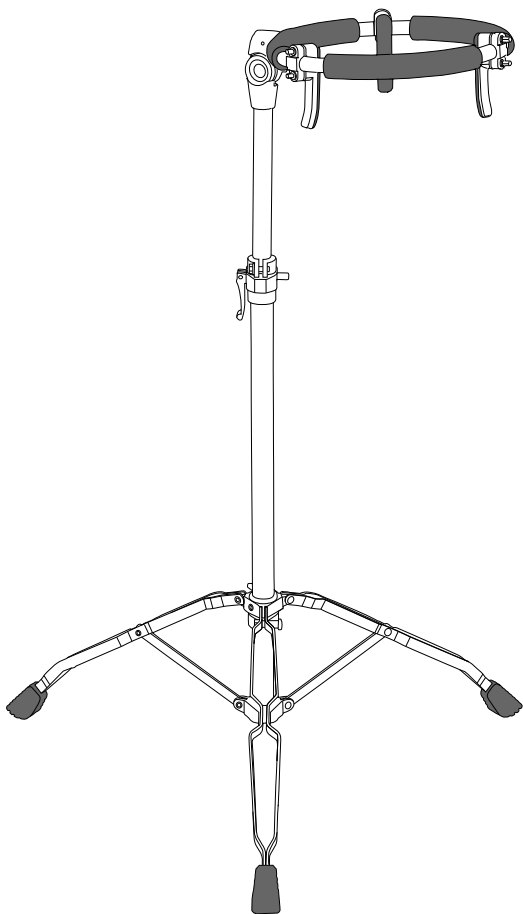


4.



5.







PROFESSIONAL DOUMBЕК/IBO

TMID

This Stand was designed to enable playing an Ibo Drum or a Dumbek in ways other than simply being placed in one's lap, such as standing up or incorporating it into a percussion set up. It can be angled and is fully height adjustable.

- Foam padded ring
- Fully height- and angle adjustable
- Double braced tripod legs

Roland Meinl Musikinstrumente GmbH & Co. KG
Musik-Meinl-Str. 1, 91468 Gutenstetten, Germany
info@meinlpercussion.com
meinlpercussion.com