

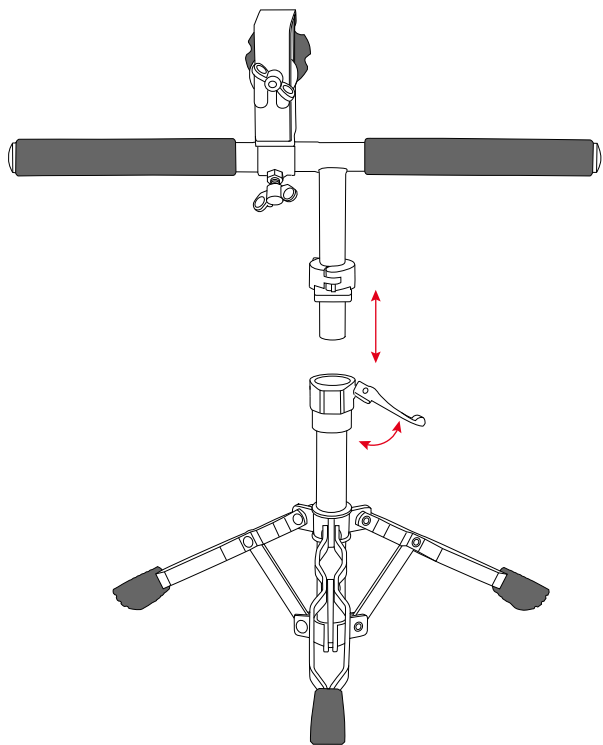


ASSEMBLY INSTRUCTION

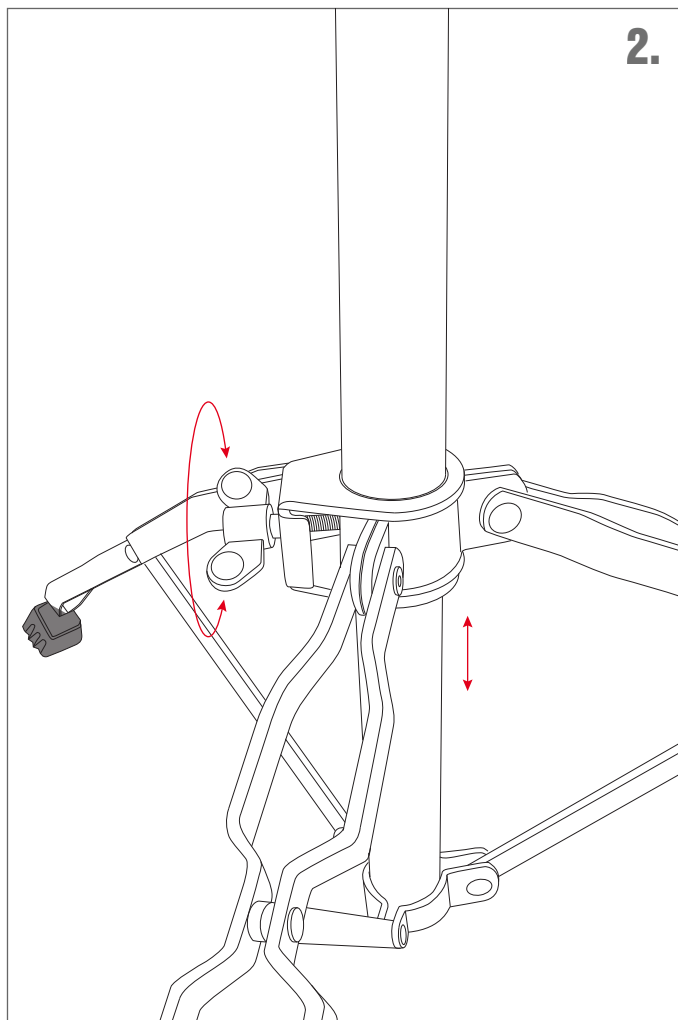
PROFESSIONAL BONGO STAND FOR SEATED PLAYERS

TMB-S

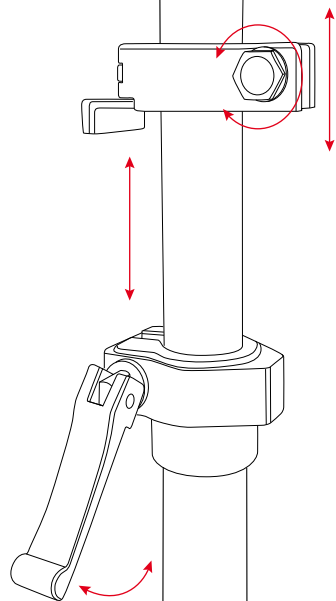
1.



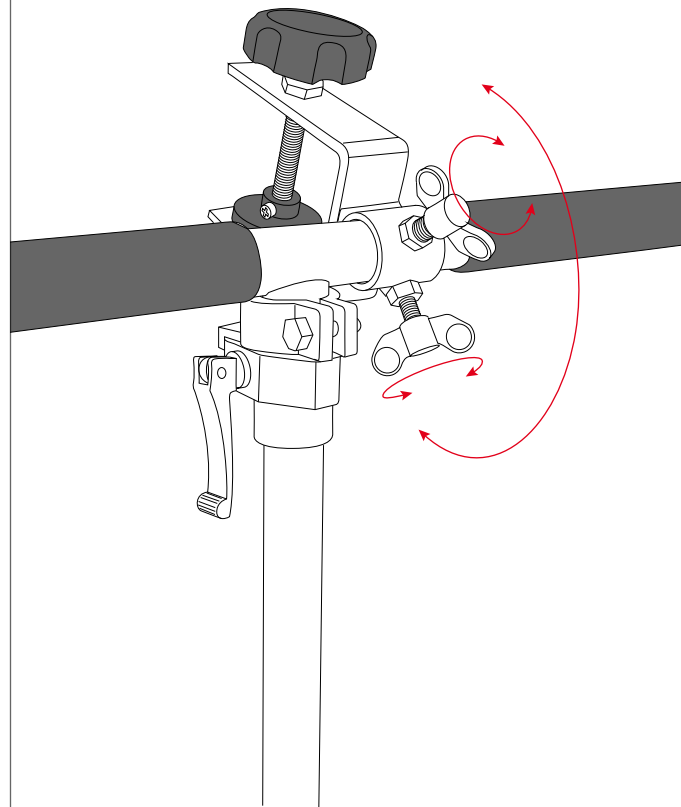
2.



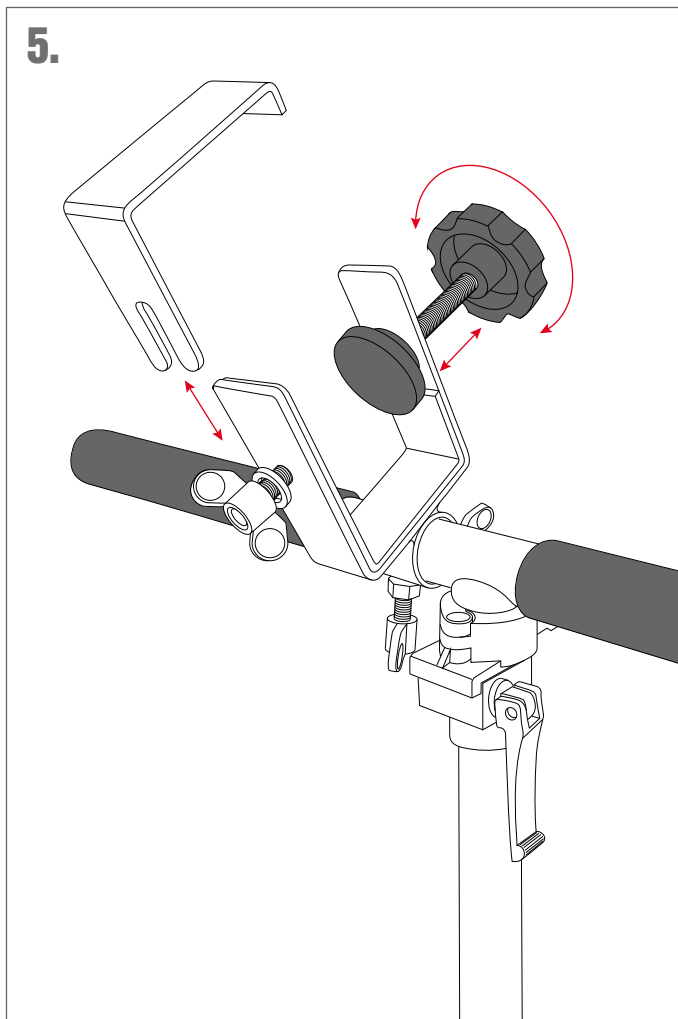
3.



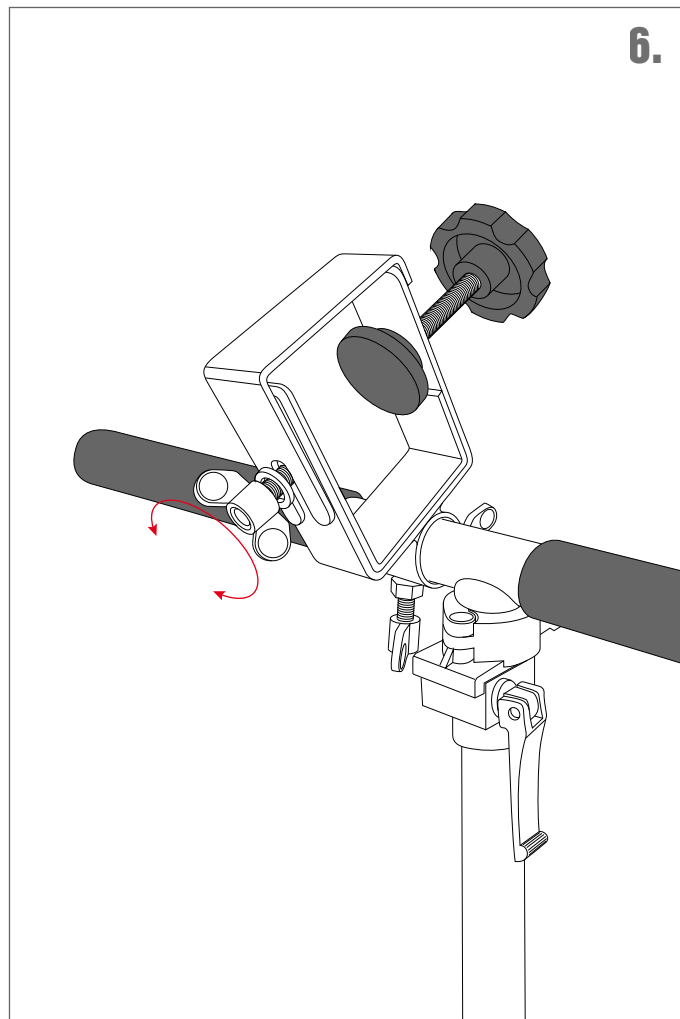
4.

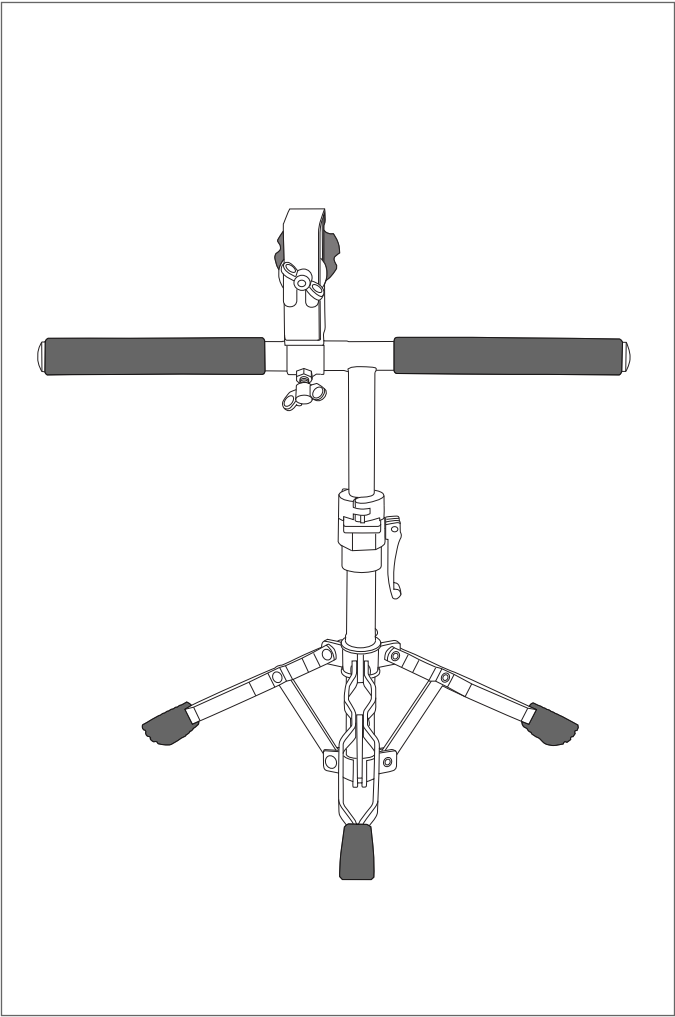


5.



6.







PROFESSIONAL BONGO STAND FOR SEATED PLAYERS

TMB-S

This version of MEINL's Professional Bongo Stand has all the features of the regular model. It can be placed low enough to be comfortably played sitting down in the traditional position.

- Seated playing position possible
- Padded T-shaped tube
- Fully height- and angle adjustable
- Double braced tripod legs
- Fits all common bongos

Roland Meinl Musikinstrumente GmbH & Co. KG
Musik-Meinl-Str. 1, 91468 Gutenstetten, Germany
info@meinlpercussion.com
meinlpercussion.com